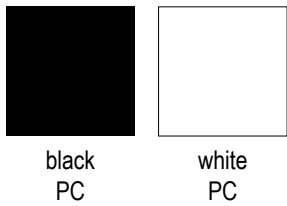
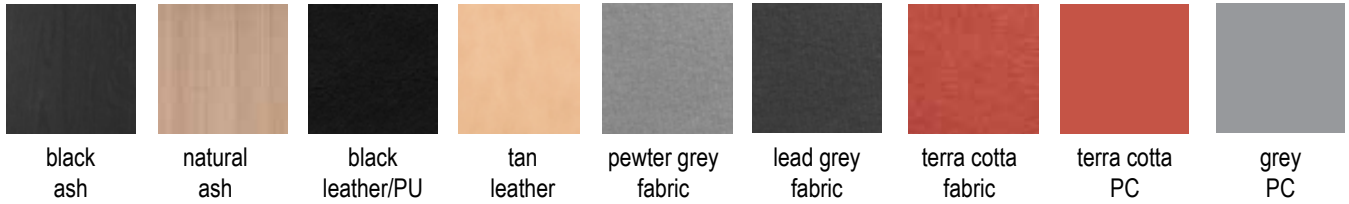


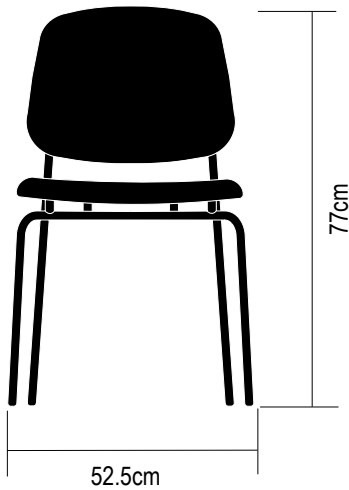
PLATFORM

Powder coated steel tube frame supports upholstered or plywood seat and upholstered or plywood back. Stackable.

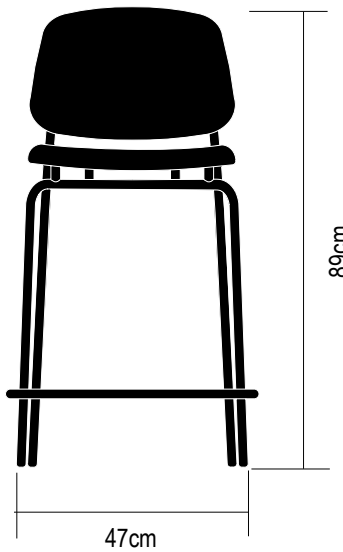
Meets or exceeds ANSI/BIFMA X5.1. Materials meet or exceed ANSI/BIFMA M7.1 VOC emissions standards for office furniture.



G64
CHAIR



G64C
COUNTER STOOL



G64B
BAR STOOL

