



MATERIALS

Back and seat as one piece construction is of polypropylene plastic molded. This gives consistent shape quality and structural longevity.

Upholstery: Artificial leather, Natural leather, Fabrics, PP plastic

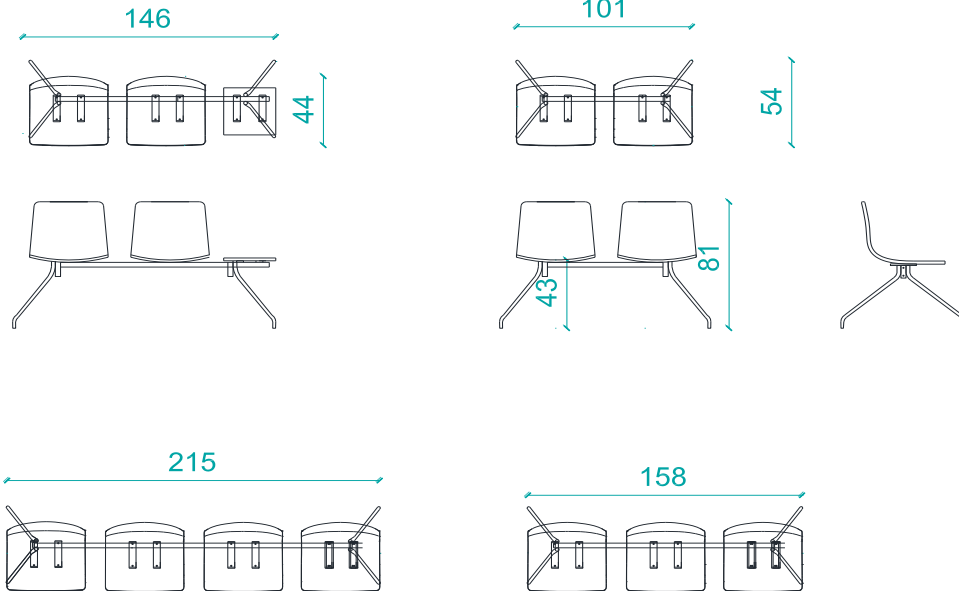
Side Table: 18mm mdf lam with 2mm PVC edgeband.

Arm alternatives: With or without arms

Leg alternatives: Cold-drawn pipe legs fixed to the 50x50mm metal profile. Special metal bar sheets are used as connector.

Leg materials: Shiny chrome, matte chrome, Electrostatic powder coating colors.

Dimensions: Double 101x54x81h / Double 146x54x81h / Triple 158x54x81h / Four seater 215x54x81h



ISTANBUL Showroom (Head office): Kağıthane Cad. No:87 Çağlayan 34403 İstanbul /Turkey T: +90 212 220 26 97 F: +90 212 320 12 76 export@bt.design

ANKARA Showroom: Prof.Dr.Ahmet Taner Kışlalı Mh.Alaçatı Cd. No:12/4 Çayyolu, Çankaya, Ankara / Turkey T: +90 312 241 00 43 F: +90 312 241 00 53

Factory: Çerkeşli OSB Mh.İmes 10.Cad No:18 - 41455 Dilovası / Kocaeli T: +90 262 751 27 09 F: +90 262 751 27 48 info@bt.design

www.bt.design