

**MATERIALS**

Polyurethane bedding is injection molded into a metal frame supported by steel springs.

Upholstery: Artificial leather, Natural leather, Fabrics

Arm alternatives: With arms

Leg alternatives: Metal base - Aluminium base

Leg materials: Bright chrome, Matt chrome, Static painted

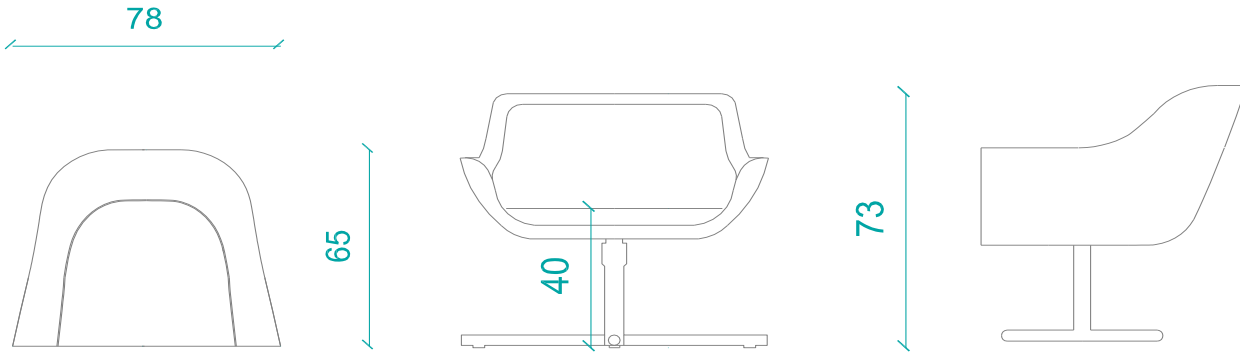
DIMENSIONS

Seat height: 40 cm

Width: 78 cm

Depth: 65 cm

Height: 73 cm



ISTANBUL Showroom (Head office): Kađıthane Cad. No:87 Çađlayan 34403 Istanbul /Turkey T: +90 212 220 26 97 F: +90 212 320 12 76 export@b-t.com.tr

ANKARA Showroom: Prof.Dr.Ahmet Taner Kışlalı Mh.Alađabı Cd. No:12/4 ayyolu, ankaya, Ankara / Turkey T: +90 312 241 00 43 F: +90 312 241 00 53

Factory:Tavşanlı Kadiyeri Mevkii 10. Sokak No: 7 41400 Gebze / Kocaeli T: +90 262 751 27 09 F: +90 262 751 27 48 info@b-t.com.tr

www.b-t.com.tr